

# Aluminium and aluminium alloys — Foil —

## Part 2: Mechanical properties

SIGMA ALUMINIUM

The European Standard EN 546-2:2006 has the status of a  
British Standard

ICS 77.150.10

---

---

## National foreword

This British Standard was published by BSI. It is the UK implementation of EN 546-2:2006. It supersedes BS EN 546-2:1997 which is withdrawn.

The UK participation in its preparation was entrusted to Technical Committee NFE/35, Light metals and their alloys.

A list of organizations represented on NFE/35 can be obtained on request to its secretary.

This publication does not purport to include all the necessary provisions of a contract. Users are responsible for its correct application.

**Compliance with a British Standard cannot confer immunity from legal obligations.**

SIGMA ALUMINUM

This British Standard was published under the authority of the Standards Policy and Strategy Committee on 28 February 2007

© BSI 2007

ISBN 978 0 580 50135 7

### Amendments issued since publication

Amd. No.	Date	Comments

English Version

## Aluminium and aluminium alloys - Foil - Part 2: Mechanical properties

Aluminium et alliages d'aluminium - Feuille mince - Partie 2  
: Caractéristiques mécaniques

Aluminium und Aluminiumlegierungen - Folien - Teil 2:  
Mechanische Eigenschaften

This European Standard was approved by CEN on 25 November 2006.

CEN members are bound to comply with the CEN/CENELEC Internal Regulations which stipulate the conditions for giving this European Standard the status of a national standard without any alteration. Up-to-date lists and bibliographical references concerning such national standards may be obtained on application to the Central Secretariat or to any CEN member.

This European Standard exists in three official versions (English, French, German). A version in any other language made by translation under the responsibility of a CEN member into its own language and notified to the Central Secretariat has the same status as the official versions.

CEN members are the national standards bodies of Austria, Belgium, Cyprus, Czech Republic, Denmark, Estonia, Finland, France, Germany, Greece, Hungary, Iceland, Ireland, Italy, Latvia, Lithuania, Luxembourg, Malta, Netherlands, Norway, Poland, Portugal, Romania, Slovakia, Slovenia, Spain, Sweden, Switzerland and United Kingdom.

**SIGMA ALUMINUM**



EUROPEAN COMMITTEE FOR STANDARDIZATION  
COMITÉ EUROPÉEN DE NORMALISATION  
EUROPÄISCHES KOMITEE FÜR NORMUNG

Management Centre: rue de Stassart, 36 B-1050 Brussels

## Contents

Page

Foreword.....	3
1 Scope .....	4
2 Normative references .....	4
3 Tensile testing.....	4
4 Mechanical properties .....	5
5 Rounding of test results.....	5
Annex A (normative) Rules for rounding.....	8
Bibliography .....	9

### Figures

Figure 1 — Parallel sided test piece .....	4
Figure 2 — Example of double-bladed cutter .....	5

### Tables

Table 1 — Longitudinal mechanical properties for converter/household foil .....	6
Table 2 — Longitudinal mechanical properties for container foil <sup>a</sup> .....	7

SIGMA ALUMINUM

## Foreword

This document (EN 546-2:2006) has been prepared by Technical Committee CEN/TC 132 "Aluminium and aluminium alloys", the secretariat of which is held by AFNOR.

This European Standard shall be given the status of a national standard, either by publication of an identical text or by endorsement, at the latest by June 2007, and conflicting national standards shall be withdrawn at the latest by June 2007.

This document supersedes EN 546-2:1996.

Within its programme of work, Technical Committee CEN/TC 132 entrusted CEN/TC 132/WG 6 "Foil and finstock" to revise EN 546-2:1996.

The following modifications have been made:

— Clause 4: Table 1 and Table 2 amended. Alloy EN AW-8021B added in Table 1.

EN 546 comprises the following parts under the general title "*Aluminium and aluminium alloys - Foil*":

— *Part 1: Technical conditions for inspection and delivery*

— *Part 2: Mechanical properties*

— *Part 3: Tolerances on dimensions*

— *Part 4: Special property requirements*

Attention is drawn to the possibility that some of the elements of this document may be the subject of patent rights. CEN shall not be held responsible for identifying any or all such patent rights.

CEN/TC 132 affirms it is its policy that in the case when a patentee refuses to grant licenses on standardised standard products under reasonable and not discriminatory conditions, then this product shall be removed from the corresponding standard.

According to the CEN/CENELEC Internal Regulations, the national standards organizations of the following countries are bound to implement this European Standard: Austria, Belgium, Cyprus, Czech Republic, Denmark, Estonia, Finland, France, Germany, Greece, Hungary, Iceland, Ireland, Italy, Latvia, Lithuania, Luxembourg, Malta, Netherlands, Norway, Poland, Portugal, Romania, Slovakia, Slovenia, Spain, Sweden, Switzerland and United Kingdom.

## 1 Scope

This document specifies the mechanical properties of wrought aluminium and aluminium alloy foil.

The chemical composition limits of these materials are specified in EN573-3.

The designations of aluminium and aluminium alloys and the temper designations used in this standard are specified in EN 573-3 and the temper designation are defined EN 515.

## 2 Normative references

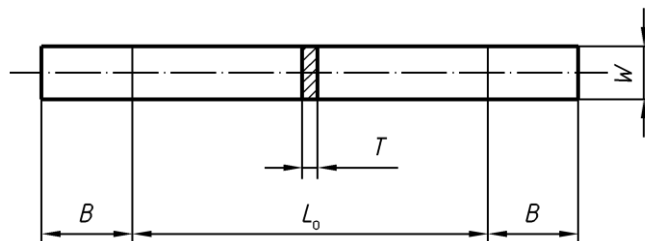
The following referenced documents are indispensable for the application of this document. For dated references, only the edition cited applies. For undated references, the latest edition of the referenced document (including any amendments) applies.

EN 546-1, *Aluminium and aluminium alloys — Foil — Part 1: Technical conditions for inspection and delivery*

## 3 Tensile testing

The selection and number of specimens and test pieces shall be as specified in EN 546-1. Preparation of test pieces shall be carried out as follows:

- parallel sided test pieces (see Figure 1) with a width of  $15 \text{ mm} \pm 0,1 \text{ mm}$  and a gauge length of  $50 \text{ mm} \pm 1 \text{ mm}$  or  $100 \text{ mm} \pm 1 \text{ mm}$  shall be used. They shall be prepared using a double-bladed cutter (see Figure 2) or a precision ground sample shear of "punch and die" construction;
- the tensile test shall be carried out on suitably calibrated equipment. The test speed shall be in the range 5 % to 25 % of the gauge length per minute.



### Key

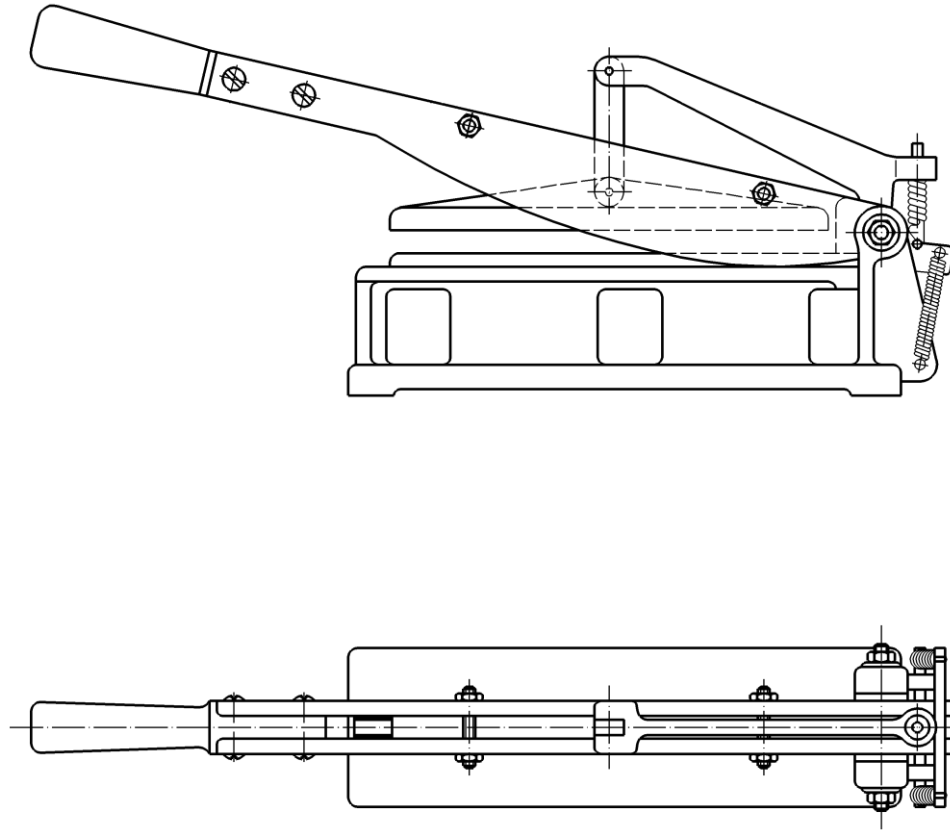
$L_0$  = Gauge length =  $(50 \pm 1) \text{ mm}$  or  $(100 \pm 1) \text{ mm}$

$W$  = Width =  $(15 \pm 0,1) \text{ mm}$

$T$  = Thickness of strip

$B$  = Length of grip section = minimum value 25 mm

Figure 1 — Parallel sided test piece



**SIGMA ALUMINUM** Figure 2 — Example of double-bladed cutter

Considering the difficulty in marking thin gauge material, the gauge length may be measured by the distance between the grips of the testing machine. The elongation is then determined from the difference in the distance between the grips before testing and at fracture, or by direct reading from the load vs-crosshead displacement diagram when available. This provision only applies to parallel-sided testpieces.

#### 4 Mechanical properties

Mechanical properties of foil for converter/household as specified in Table 1 and for container foil as specified in Table 2. For the elongation measurement, two different gauge lengths may be used. The choice of the gauge length, either 50 mm or 100 mm, shall be at the discretion of the manufacturer unless otherwise agreed; nevertheless, the supplier shall inform the purchaser of the length used.

#### 5 Rounding of test results

Test results shall be rounded in accordance with the rounding rules given in Annex A.

Table 1 — Longitudinal mechanical properties for converter/household foil

Material	Gauge range <sup>a</sup>		Temper			
			O			H18 <sup>a</sup>
			Tensile strength $R_m$		Elongatio n $A_{50}$ mm or $A_{100}$ mm	Tensile strength $R_m$ MPa
			MPa			
Over	$\mu\text{m}$ Up to and including	min.	max.	min.	min.	
EN AW-1050A [Al 99,5]	$\geq 6$	10	35	80	1	135
	10	25	40	85	1	135
	25	40	45	90	2	135
	40	90	50	95	4	135
	90	140	50	95	6	135
	140	200	50	95	10	135
EN AW-1200 [Al 99,0]	$\geq 6$	10	40	95	1	140
	10	25	45	100	1	140
	25	40	50	105	3	140
	40	90	55	105	6	140
	90	140	60	105	10	140
	140	200	60	105	14	140
EN AW-8006 [Al Fe1,5Mn]	$\geq 6$	10	80	135	1	190
	10	25	85	140	2	190
	25	40	85	140	6	190
	40	90	90	140	10	190
	90	140	90	140	15	190
	140	200	90	140	15	190
EN AW-8011A [Al FeSi(A)]	$\geq 6$	10	50	110	1	160
	10	25	55	115	1	160
	25	40	55	120	3	160
	40	90	65	130	7	160
	90	140	65	130	12	160
	140	200	65	130	16	160
EN AW-8014 [Al Fe1,5Mn0,4]	$\geq 6$	10	70	130	1	170
	10	25	75	135	2	170
	25	40	75	135	6	170
	40	90	80	135	10	170
	90	140	80	135	14	170
	140	200	80	135	15	170
EN AW-8021B [Al Fe1,5]	$\geq 6$	10	60	100	2	160
	10	25	65	105	3	160
	25	40	70	110	7	160
	40	90	75	110	12	160
	90	140	75	110	14	160
	140	200	75	110	16	160
EN AW-8079 [Al Fe1Si]	$\geq 6$	10	45	100	1	150
	10	25	50	105	1	150
	25	40	55	110	4	150
	40	90	60	110	8	150
	90	140	60	110	13	150
	140	200	60	110	16	150
EN AW-8111 [Al FeSi(B)]	$\geq 6$	10	55	105	2	160
	10	25	60	110	3	160
	25	40	70	120	11	160
	40	90	70	130	12	160
	90	140	70	130	14	160
	140	200	70	130	16	160

NOTE If no values are available, this should be agreed between supplier and purchaser.

<sup>a</sup> In H18 temper, maximum values for tensile strength and minimum values for elongation shall be subject to agreement between supplier and purchaser, if required. H18 can be replaced by the supplier in agreement with the purchaser into H19 temper.



Table 2 — Longitudinal mechanical properties for container foil <sup>a</sup>

Material	Gauge range $\mu\text{m}$		Temper														
			O			H22			H24			H26			H18		
			Tensile strength		Elongatio	Tensile strength		Elongation	Tensile strength		Elongation	Tensile strength		Elongatio	Tensile strength		Elongatio
			$R_m$ MPa		$n$ $A_{50\text{mm}}$ or $A_{100\text{mm}}$	$R_m$ MPa		$A_{50\text{mm}}$ or $A_{100\text{mm}}$ %	$R_m$ MPa		$A_{50\text{mm}}$ or $A_{100\text{mm}}$ %	$R_m$ MPa		$n$ $A_{50\text{mm}}$ or $A_{100\text{mm}}$	$R_m$ MPa		$n$ $A_{50\text{mm}}$ or $A_{100\text{mm}}$
Over	Up to and including	min.	max.	min.	min.	max.	min.	min.	max.	min.	min.	max.	min.	min.	max.	min.	
EN AW-1200 [Al 99,0]	$\geq 35$	40	50	105	3	90	135	2	110	155	2	125	180	1	140	200	1
	40	90	55	105	6	90	135	4	110	155	3	125	180	1	140	200	1
	90	140	60	105	10	90	135	6	110	155	4	125	180	2	140	200	1
	140	200	60	105	14	90	135	7	110	155	5	125	180	2	140	200	1
EN AW-3003 [Al Mn1Cu]	$\geq 35$	40	85	135	5	120	160	5	145	185	6	150	190	2	190	230	1
	40	90	85	135	6	120	160	6	145	185	7	150	190	3	190	230	1
	90	140	85	135	10	120	160	8	145	185	8	150	190	4	190	230	1
	140	200	85	135	13	120	160	9	145	185	9	150	190	4	190	230	1
EN AW-3005 [Al Mn1Mg0,5]	$\geq 35$	40	125	165	8	-	-	-	180	225	3	-	-	-	-	-	-
	40	90	125	165	9	-	-	-	180	225	3	-	-	-	-	-	-
	90	140	125	165	10	-	-	-	180	225	3	-	-	-	-	-	-
	140	200	125	165	10	-	-	-	180	225	4	-	-	-	-	-	-
EN AW-3103 [Al Mn1]	$\geq 35$	40	80	130	7	115	155	5	140	180	6	150	190	2	185	230	1
	40	90	80	130	8	115	155	6	140	180	7	150	190	3	185	230	1
	90	140	80	130	12	115	155	8	140	180	8	150	190	4	185	230	1
	140	200	80	130	15	115	155	9	140	180	9	150	190	4	185	230	1
EN AW-8006 [Al Fe1,5Mn]	$\geq 35$	40	85	140	6	-	-	-	110	170	3	-	-	-	-	-	-
	40	90	90	140	10	-	-	-	110	170	4	-	-	-	-	-	-
	90	140	90	140	14	-	-	-	110	170	5	-	-	-	-	-	-
	140	200	90	140	15	-	-	-	110	170	7	-	-	-	-	-	-
EN AW-8008 [Al Fe1Mn0,8]	$\geq 35$	40	80	140	8	120	155	5	140	175	3	150	190	2	180	250	1
	40	90	80	140	10	120	155	8	140	175	5	150	190	4	180	250	1
	90	140	80	140	14	120	155	12	140	175	8	150	190	6	180	250	1
	140	200	80	140	15	120	155	13	140	175	10	150	190	8	180	250	1
EN AW-8011A [Al FeSi(A)]	$\geq 35$	40	55	120	4	90	150	2	110	165	2	140	185	1	160	220	1
	40	90	65	130	7	90	150	4	110	165	3	140	185	2	160	220	1
	90	140	65	130	12	90	150	5	110	165	4	140	185	2	160	220	1
	140	200	65	130	16	90	150	6	110	165	5	140	185	3	160	220	1

<sup>a</sup> Single rolled (35  $\mu\text{m}$  to 200  $\mu\text{m}$ ).

## **Annex A**

(normative)

### **Rules for rounding**

The results of the mechanical tests shall be rounded off using the following rules, recognizing the number of significant figures required by the standard:

- a) when the figure immediately after the last figure to be retained is less than 5, the last figure to be retained remains unchanged;
- b) when the figure immediately after the last figure to be retained is greater than 5, or equal to 5 and followed by at least one figure other than zero, the last figure to be retained is increased by one;
- c) when the figure immediately after the last figure to be retained is equal to 5 and followed by zeros only, the last figure to be retained remains unchanged if even and is increased by one if odd.

**SIGMA ALUMINUM**

## Bibliography

EN 515, *Aluminium and aluminium alloys — Wrought products — Temper designations.*

EN 573-3, *Aluminium and aluminium alloys — Chemical composition and form of wrought products — Part 3: Chemical composition.*

SIGMA ALUMINUM

## BSI – British Standards Institution

BSI is the independent national body responsible for preparing British Standards. It presents the UK view on standards in Europe and at the international level. It is incorporated by Royal Charter.

### Revisions

British Standards are updated by amendment or revision. Users of British Standards should make sure that they possess the latest amendments or editions.

It is the constant aim of BSI to improve the quality of our products and services. We would be grateful if anyone finding an inaccuracy or ambiguity while using this British Standard would inform the Secretary of the technical committee responsible, the identity of which can be found on the inside front cover.

Tel: +44 (0)20 8996 9000. Fax: +44 (0)20 8996 7400.

BSI offers members an individual updating service called PLUS which ensures that subscribers automatically receive the latest editions of standards.

### Buying standards

Orders for all BSI, international and foreign standards publications should be addressed to Customer Services. Tel: +44 (0)20 8996 9001.

Fax: +44 (0)20 8996 7001. Email: [orders@bsi-global.com](mailto:orders@bsi-global.com). Standards are also available from the BSI website at <http://www.bsi-global.com>.

In response to orders for international standards, it is BSI policy to supply the BSI implementation of those that have been published as British Standards, unless otherwise requested.

### Information on standards

BSI provides a wide range of information on national, European and international standards through its Library and its Technical Help to Exporters Service. Various BSI electronic information services are also available which give details on all its products and services. Contact the Information Centre.

Tel: +44 (0)20 8996 7111. Fax: +44 (0)20 8996 7048. Email: [info@bsi-global.com](mailto:info@bsi-global.com).

Subscribing members of BSI are kept up to date with standards developments and receive substantial discounts on the purchase price of standards. For details of these and other benefits contact Membership Administration.

Tel: +44 (0)20 8996 7002. Fax: +44 (0)20 8996 7001.

Email: [membership@bsi-global.com](mailto:membership@bsi-global.com).

Information regarding online access to British Standards via British Standards Online can be found at <http://www.bsi-global.com/bsonline>.

Further information about BSI is available on the BSI website at <http://www.bsi-global.com>.

### Copyright

Copyright subsists in all BSI publications. BSI also holds the copyright, in the UK, of the publications of the international standardization bodies. Except as permitted under the Copyright, Designs and Patents Act 1988 no extract may be reproduced, stored in a retrieval system or transmitted in any form or by any means – electronic, photocopying, recording or otherwise – without prior written permission from BSI.

This does not preclude the free use, in the course of implementing the standard, of necessary details such as symbols, and size, type or grade designations. If these details are to be used for any other purpose than implementation then the prior written permission of BSI must be obtained.

Details and advice can be obtained from the Copyright & Licensing Manager.

Tel: +44 (0)20 8996 7070. Fax: +44 (0)20 8996 7553.

Email: [copyright@bsi-global.com](mailto:copyright@bsi-global.com).